

MACHINES

# ATR RAMMERS

ATR SERIES RAMMERS



**AMMANN**

“The optimal balance and user-friendly handle of the Ammann ATR Rammers make these machines a joy to work with.”



# THE RIGHT FIT ON YOUR JOBSITE

## AMMANN ATR RAMMERS

Ammann Rammers feature the best forward-movement capabilities in the industry, helping contractors in all applications work productively and ultimately achieve compaction targets. The forward-moving ability, manoeuvrability and compaction output makes them the tool of choice for contractors and rental agencies.

Ease of use means that operators of all experience levels are able to perform productively. Operation is more comfortable too, because of the reduced-vibration handle. That lessens fatigue and ultimately proves to be another productivity booster.



### ATR 30

WEIGHT: 28 / 29 kg (62 / 64 lb)  
FOOT WIDTH: 80 / 130 mm (3 / 5 in)  
CENTRIFUGAL FORCE: 2 kN (0.45 lbf)



### ATR 60 CLASSIC

WEIGHT: 62 kg (137 lb)  
FOOT WIDTH: 280 mm (11 in)  
CENTRIFUGAL FORCE: 11.5 kN (2.6 lbf)



### ATR 60 PREMIUM

WEIGHT: 62 kg (137 lb)  
FOOT WIDTH: 280 mm (11 in)  
CENTRIFUGAL FORCE: 11.5 kN (2.6 lbf)



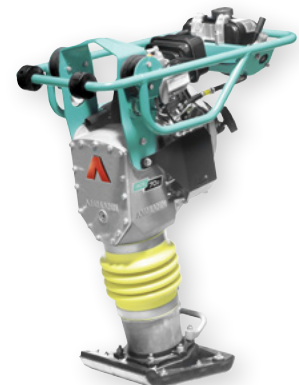
### ATR 68 CLASSIC

WEIGHT: 68 kg (150 lb)  
FOOT WIDTH: 280 mm (11 in)  
CENTRIFUGAL FORCE: 13 kN (2.9 lbf)



### ATR 68 PREMIUM

WEIGHT: 68 kg (150 lb)  
FOOT WIDTH: 280 mm (11 in)  
CENTRIFUGAL FORCE: 13 kN (2.9 lbf)

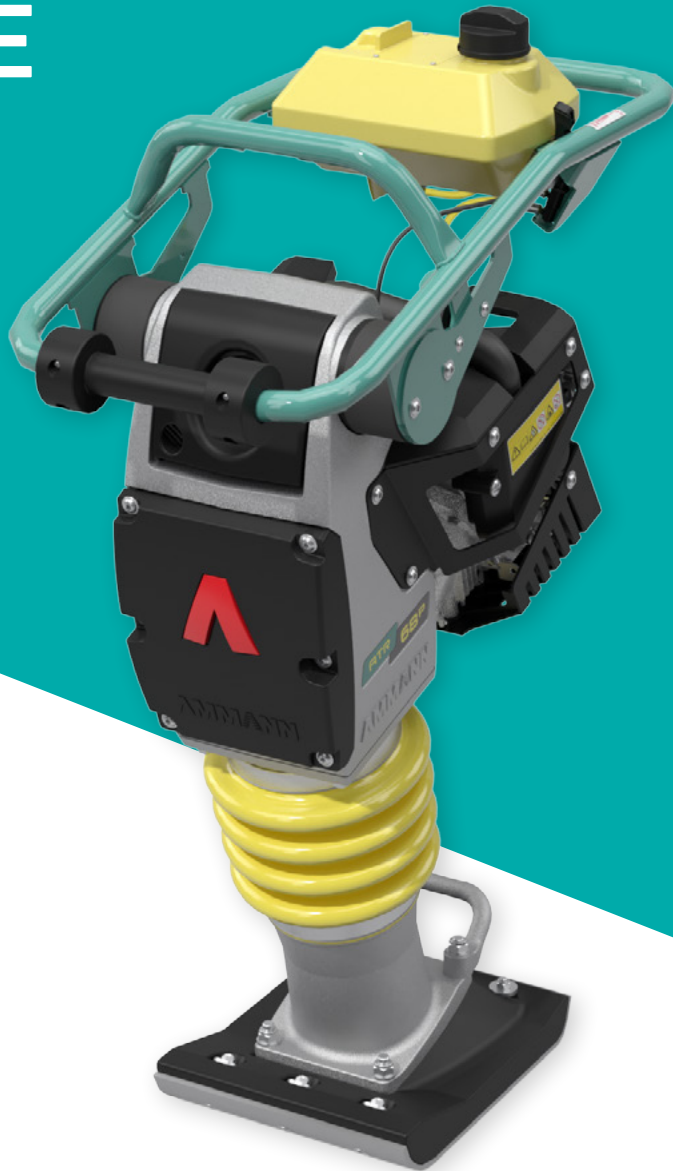


### ACR 70 D

WEIGHT: 83 kg (183 lb)  
FOOT WIDTH: 280 mm (11 in)  
CENTRIFUGAL FORCE: 16 kN (3.1 lbf)

# YOUR BENEFITS AT A GLANCE

WHAT SETS AMMANN RAMMERS APART?



## APPLICATIONS

- Compaction in confined areas
- Earthwork
- Asphalt and paving applications
- Light to medium patchwork
- Pipeline and trench construction
- Landscaping and gardening

## PRODUCTIVITY

### Balanced weight distribution and good forward movement

Machine is easy to guide.

### Large selection of rammer base plates

Makes machine a match for every application.

### Long service life of engines and machines

Maximises value for operators and owners.

### Low fuel consumption

One tank lasts for up to four hours of operation.

### Flexible fuel selection

Both petrol and diesel engines are available.

## ERGONOMICS

### Low hand-arm vibration values

Long machine use with no risk of Raynaud's syndrome ("white finger disease").

### Open guide handle

Clear view of the base plate during operation; can operate from all sides.

### Height-adjustable machine and handle

Guide pipe and guide handle can be adjusted for comfortable operation.

## SERVICEABILITY

### Daily maintenance possible without tools

Preventive maintenance to protect the machine can be carried out anywhere.

### Self-cleaning air filters and optional cyclone pre-filter

Long machine service life and good life cycle costs.

# THE BALANCE AND POWER YOU NEED

## CREATING INDUSTRY-LEADING COMPACTION AND FORWARD MOVEMENT

You need machines that deliver compaction power to the ground. And you need machines that can climb steep terrain on challenging jobsites. ATR Rammers deliver on all fronts.

### PURE COMPACTION POWER

Ammann ATR Rammers are powerful tools that send vibration to the ground and away from operators. The result: an industry leader in both compaction force and operator comfort.

### BEST-IN-CLASS MACHINE BALANCE

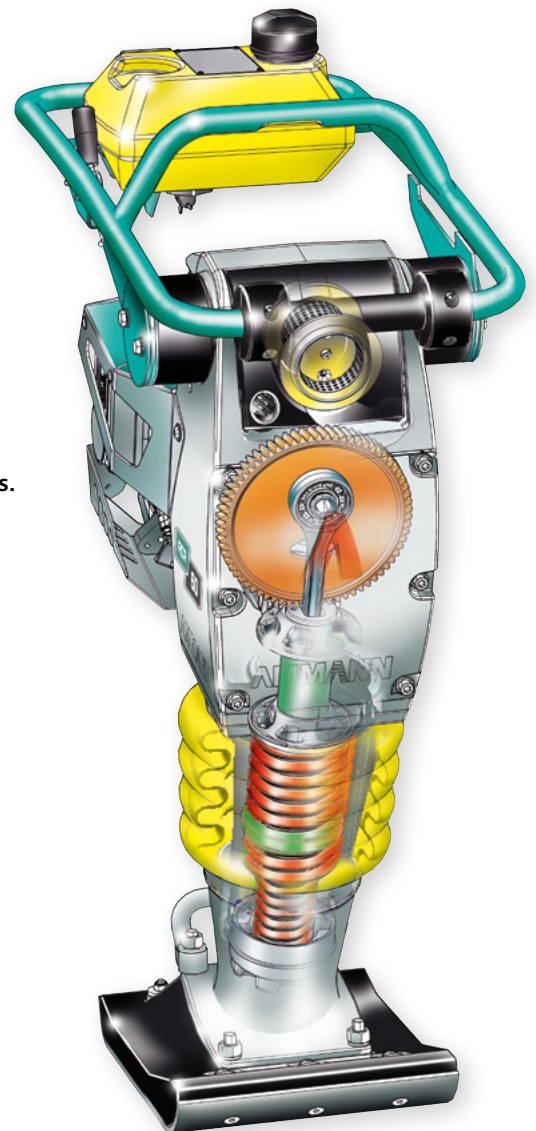
The rammers' design provides exceptional balance that prevents tipping and delivers a host of operator benefits, including effortless guidance and precise control. The balance also spurs the forward movement that boosts rammer performance and productivity – and ultimately leads to profitability.

### EXTREMELY DURABLE

Taking a hit is not problem for the Ammann Rammers. High quality components and protective casings keep the machines running, even under the toughest conditions.

### POWERFUL ENGINES

A reliable engine, best suited to the machines size, is built into every ATR machine to grant optimal power and long life.



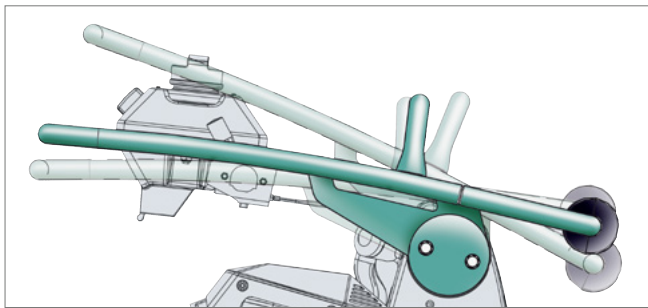
# ERGONOMICS AND OPTIONS

## CUSTOMISED FOR YOUR NEEDS

Standard features provide operator safety and productivity. Options help you take the next step, enabling customisation that maximises productivity and cost efficiency on your jobsites.

### HANDLE GIVES UNMATCHED VISIBILITY TO OPERATOR

The open handle design creates sight lines to the rammer foot throughout the compaction process, providing confident movement around the jobsite. The visibility also enables productivity, even when near obstacles.



### HEIGHT ADJUSTABLE

The adjustable height of the guide handle ensures comfort for operators of all sizes. The handle's vibration-isolated feature also maximises operator comfort.

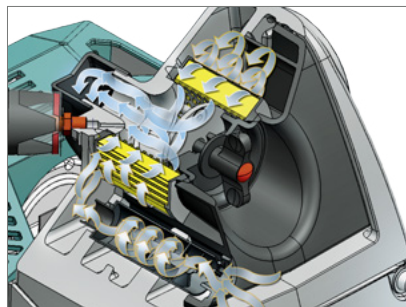
### SECURE GRIP FROM ALL SIDES

The handle's design enables a secure grip from all sides. The operator can maintain precise control, even while turning the machine in any direction.



### HOUR METER

The optional working-hour meter helps you track usage and monitor maintenance needs. The meter is a great feature for rental companies, too.



### CYCLONE PRE-FILTER

An optional cyclone pre-filter is available on ATR 60 and ATR 68 machines. The cyclone can help your filter last 5 times longer.



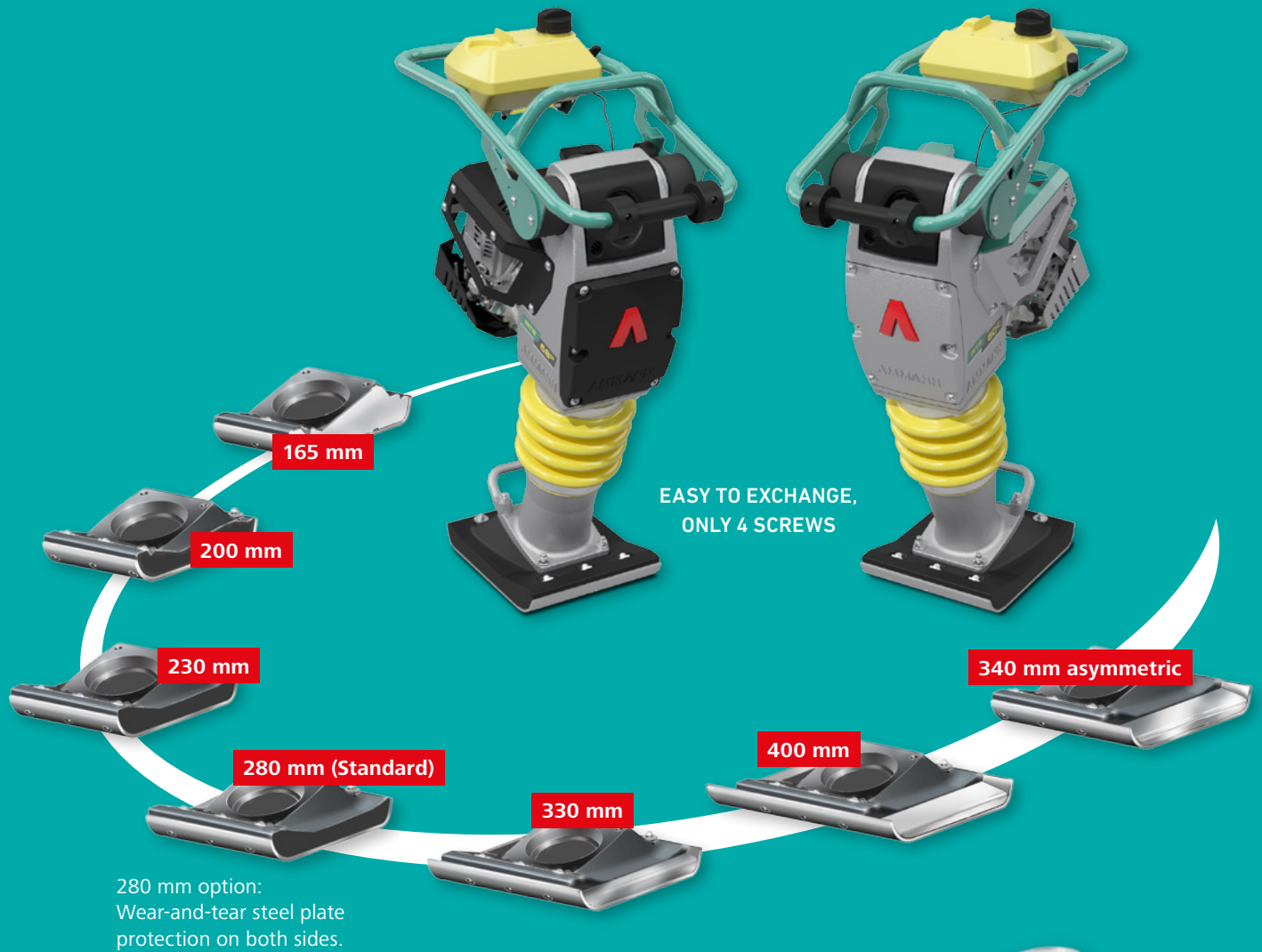
### TRANSPORT WHEELS

Transport wheels allow you to effortlessly relocate the rammer on the jobsite without assistance of larger machines. The wheel wagon is simply clicked beneath the rammer and the machine is ready to roll. No time-consuming mounting is needed!

## VARIETY OF SHOES

ATR Rammers are available with a large variety of different shoes, offering a solution for all application. The range for ATR 60 & ATR 68 include seven working widths, three selective working heights and an asymmetric foot that allows working along curbs and walls without tilting the machine.

The ATR 30 offers two different working widths to choose from. A standard 130 mm foot, and alternative a small 80 mm foot. The ACR 70 D features three different working widths 230–280–330 mm.



340 mm asymmetric: compaction work in trenches protected by shuttering systems: no need to inclining the rammer during operation.



PATENTED HEIGHT REDUCTION OF APPROXIMATELY 10 cm



STANDARD HEIGHT



EXTENSION

# ATR 30

**A LIGHTWEIGHT, REACHING WHERE OTHERS CAN'T**

The Ammann ATR 30 Rammer is a perfect fit when working in confined areas. The machine combines a slim design with small shoe sizes to ensure productivity in trenches and other tight spaces.

With its working width of 80 mm or 130 mm, and weight of 29 kg, the ATR 30 is the ideal machine for jobs where a small rammer is required. But don't be fooled by the size and weight: A high percussion rate makes up for it and ensures great compaction power.



## HIGHLIGHTS

- Shoe sizes of 80 mm or 130 mm
- 1.1 kW Honda petrol engine
- Robust and long-life spring system for high reliability
- Ideal for trench work, placement of cable or small patchwork jobs
- Open handle design allows good view of the working area
- Integrated engine protection frame
- Grip handles make transport simple





# ATR 60 C ATR 68 C

## CLASSIC RAMMERS

Ammann Classic rammers focus on – and excel at – the basic needs for any contractor. They are great fits for rental houses and contractors who don't frequently require a rammer.

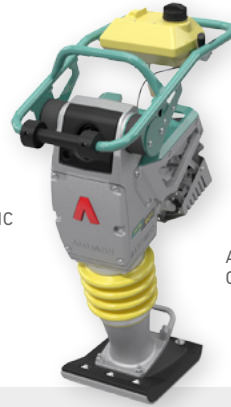
Like all Ammann rammers, the ATR 60 C and ATR 68 C provide industry-leading compaction output and forward movement. The handle, the height, proper shoes and a low centre of gravity that enables control make the rammers easy to operate regardless of experience level. The rammers feature the vibration isolated handle concept that limits hand-arm vibrations to protect the operator.

This is an important feature to make the operator work more comfortable and to avoid long-term health issues. If required, the height of the handle can be adjusted to adapt to the operator's size.

The ATR 60 C offers a working weight of 61 kg. The ATR 68 C delivers more weight at 86 kg. Both machines excel with their unmatched balance.

The Classic rammers are equipped with a Honda GX 100 petrol engine, highly regarded for its reliability and long life.

ATR 60  
CLASSIC



ATR 68  
CLASSIC



### HIGHLIGHTS

- Best-in-class drive
- Voluminous air filter with self-cleaning feature that when combined with optional cyclone pre-filter
- Sure-grip, vibration-insulated guide handle for fatigue-free operation
- Patented height reduction of approximately 10 cm using adapter plate option
- Standard corrosion-free fuel tank
- Standard 280 mm foot, with seven sizes available including an asymmetric option for compaction along walls and curbs
- Powerful and robust single-spring system
- Easily accessible recoil starter
- Throttle adjustment with automatic idle
- Robust crank drive
- Wear-resistant ramming shoe with integrated steel plate
- Additional rollers and grips for easy loading and unloading



# ATR 60 P ATR 68 P

## PREMIUM RAMMERS

Ammann Premium rammers are technically advanced machines, adapted to help professionals be productive and safe.

Among the key features of the Premium models are an optimised multi-function gas lever that is shaped and positioned for easy reach and operation; a low emission engine that fulfills the strictest regulations worldwide, and an additional air filter system that extends the life of the machine.

The premium models also feature the vibration-isolated handle concept that limits hand-arm vibrations to protect the operator. The handle is an important feature to make work more comfortable and to avoid long term health issues. required, the height of the handle can be adjusted to adapt to the operator's size.

The Premium rammers utilise a Honda GXR 120 engine that meets the strictest emissions requirements.

ATR 60  
PREMIUM



ATR 68  
PREMIUM



### HIGHLIGHTS

- Best-in-class drive
- Voluminous air filter with self-cleaning feature that when combined with optional cyclone pre-filter
- Sure-grip, vibration-insulated guide handle for fatigue-free operation
- Patented height reduction of approximately 10 cm using adapter plate option
- Standard corrosion-free fuel tank
- Standard 280 mm foot, with seven sizes available including an asymmetric option for compaction along walls and curbs
- Powerful and robust single-spring system
- Easily accessible recoil starter
- Throttle adjustment with automatic idle
- Robust crank drive
- Wear-resistant ramming shoe with integrated steel plate
- Additional rollers and grips for easy loading and unloading



# ADDITIONAL PREMIUM FEATURES

## OPTIMISED GAS THROTTLE



Optimised, multi-functional gas throttle eases the operation and assures a preserving handling for the engine to maximise its lifetime.

### 0 Stop position

The lever also automatically cuts off the fuel and shuts down the electric system.

### 1 Idle speed

Fuel and electric system are turned on, engine can be started.

### 2 Full speed

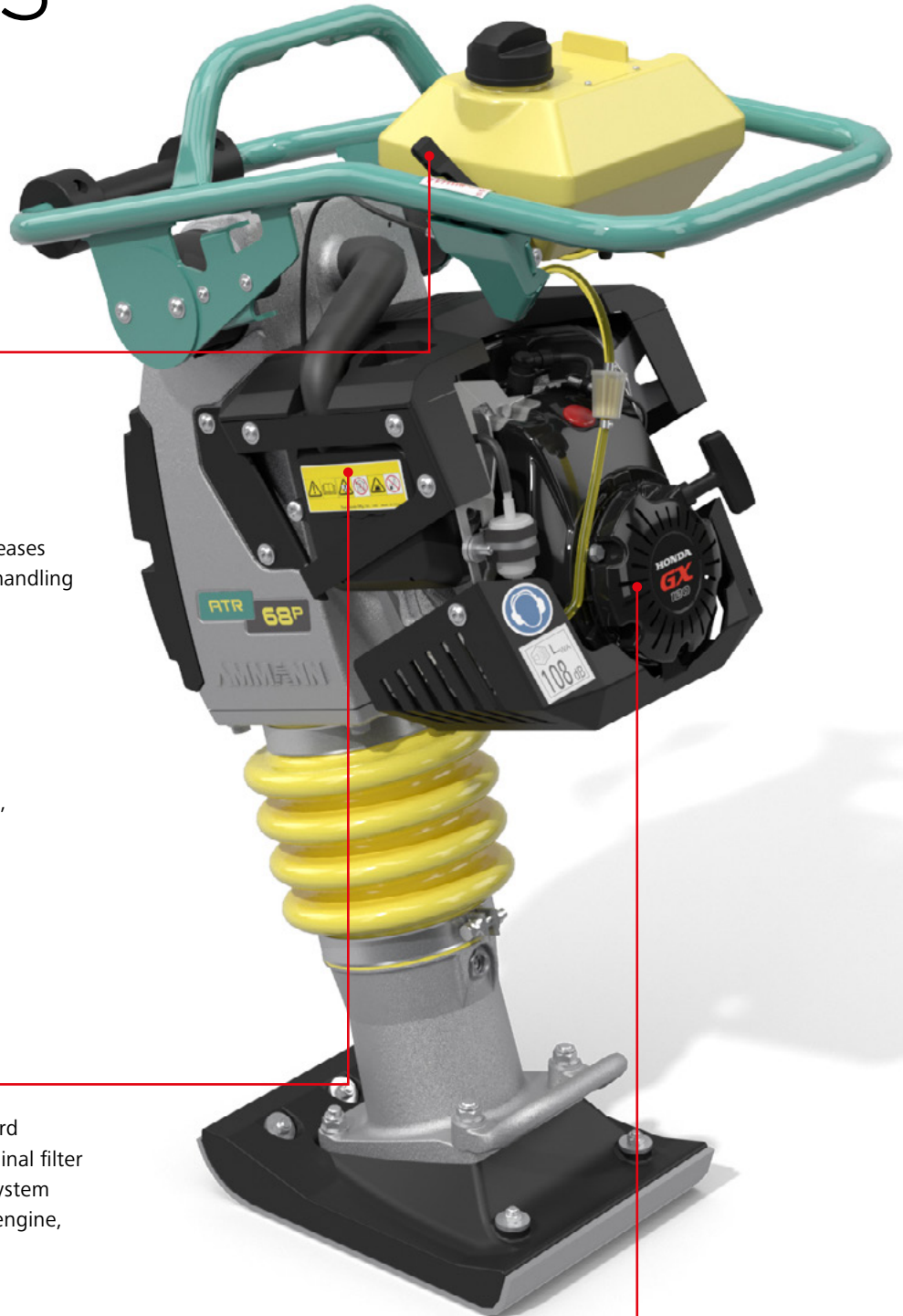
Machine is working and engine runs on optimal RPM.

## DOUBLE AIR FILTRATION

The premium models feature the standard Ammann air filter together with the original filter from the engine. This double filtration system significantly extends the lifetime of the engine, keeping the machine productive for a longer period.

## LOW EMISSION ENGINE

Equipped with the Honda GXR 120 engine, the Premium ATR models are suitable for emission regulated countries. The engine is in line with latest technologies and excels through its silent operation and low fuel consumption.



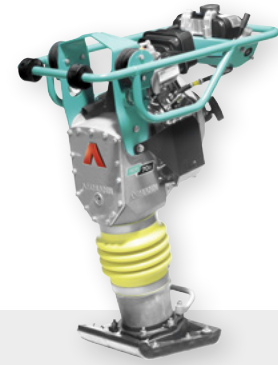
# ACR 70 D

## DIESEL POWERED COMPACTION

The ACR 70D provides the most rammer weight, at 83 kg. It utilises a Yanmar L48 diesel engine that is popular with contractors who are seeking to have light equipment with a diesel engine – and of course want power, too.

The rammer features an adjustable, vibration-resistant handle that helps fight fatigue and keep the operator focused throughout a shift.

The added weight combined with the low centre of gravity and the Yanmar engine provide plenty of compaction pop.

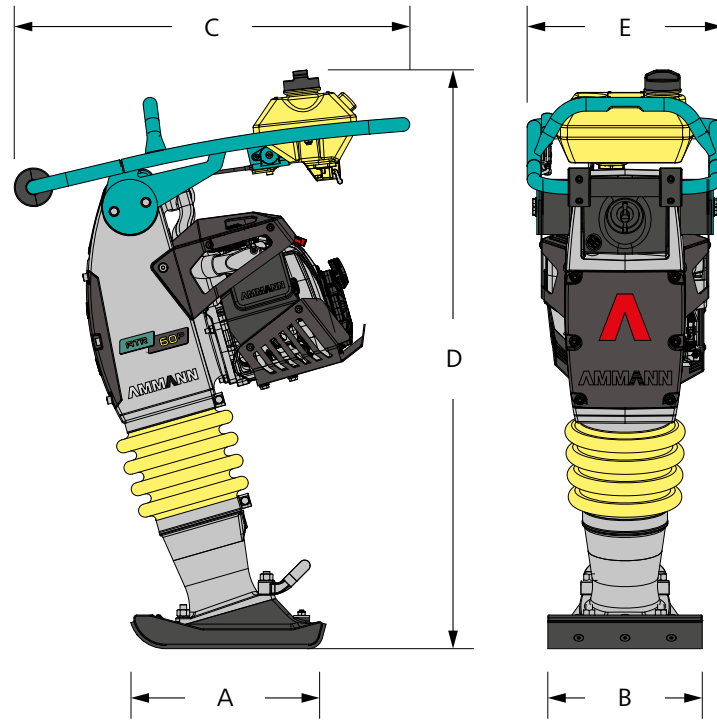


### HIGHLIGHTS

- Sure-grip, vibration-insulated guide handle for fatigue-free operation
- Corrosion-free fuel tank
- Powerful and robust single-spring system
- Easily accessible recoil starter
- Throttle adjustment with automatic idle
- Wear-resistant ramming shoe made of high quality plastic with integrated steel plate
- Additional rollers and grips for easy loading and unloading







## DIMENSIONS & WEIGHTS

	ATR 30	ATR 60 C	ATR 60 P	ATR 68 C	ATR 60 C	ACR 70 D
MACHINE WEIGHT	28/29 kg (62/64 lb)	62 kg (137 lb)	62 kg (137 lb)	68 kg (150 lb)	68 kg (150 lb)	83 kg (183 lb)
A FOOT LENGTH	260 mm (10.24 in)	340 mm (13.4 in)	340 mm (13.4 in)	340 mm (13.4 in)	340 mm (13.4 in)	340 mm (13.4 in)
B FOOT WIDTH	80/130 mm (3/5 in)	280 mm (11 in)	280 mm (11 in)	280 mm (11 in)	280 mm (11 in)	280 mm (11 in)
C HANDLE LENGTH	600 mm (23.62 in)	710 mm (28 in)	710 mm (28 in)	710 mm (28 in)	710 mm (28 in)	770 mm (30.3 in)
D MACHINE HEIGHT	950 mm (37.40 in)	1020 mm (40.2 in)	1020 mm (40.2 in)	1020 mm (40.2 in)	1020 mm (40.2 in)	980 mm (38.6 in)
E HANDLE WIDTH	350 mm (13.78 in)	355 mm (14 in)	355 mm (14 in)	355 mm (14 in)	355 mm (14 in)	360 mm (14.2 in)

## ENGINE

ENGINE	Honda GX 35	Honda GX 100	Honda GXR 120	Honda GX 100	Honda GXR 120	Yanmar L48 AE
FUEL	Petrol	Petrol	Petrol	Petrol	Petrol	Diesel
ENGINE OUTPUT AT RPM	1.1 kW (1.5 HP) 5000	2.2 kW (3 HP) 4300	2.7 kW (3.7 HP) 4300	2.2 kW (3 HP) 4300	2.7 kW (3.7 HP) 4300	3.2 kW (4.3 HP) 3250

## COMPACTION FORCES

PERCUSSION RATE	800 bpm	680 bpm	680 bpm	680 bpm	680 bpm	730 bpm
STROKE HEIGHT	45 mm (1.7 in)	65 mm (2.6 in)	65 mm (2.6 in)	65 mm (2.6 in)	65 mm (2.6 in)	60 mm (2.4 in)
CENTRIFUGAL FORCE	2 kN (0.45 lbf)	11.5 kN (2.6 lbf)	11.5 kN (2.6 lbf)	13 kN (2.9 lbf)	13 kN (2.9 lbf)	16 kN (3.1 lbf)
SURFACE CAPACITY	95 m <sup>2</sup> /h (1023 ft <sup>2</sup> /h)	225 m <sup>2</sup> /h (2422 ft <sup>2</sup> /h)	225 m <sup>2</sup> /h (2422 ft <sup>2</sup> /h)	225 m <sup>2</sup> /h (2422 ft <sup>2</sup> /h)	225 m <sup>2</sup> /h (2422 ft <sup>2</sup> /h)	210 m <sup>2</sup> /h (2260 ft <sup>2</sup> /h)
MAX. COMPACTION PERFORMANCE*	30 cm (12 in)	45 cm (18 in)	45 cm (18 in)	50 cm (18 in)	50 cm (18 in)	60 cm (23.6 in)

## MISCELLANEOUS

FUEL TANK CAPACITY	0.63 l (0.2 gal)	3.2 l (0.8 gal)	3.2 l (0.8 gal)	3.2 l (0.8 gal)	3.2 l (0.8 gal)	2.5 l (0.7 gal)
TRAVEL SPEED	12 m/min (0.5 mph)	13.5 m/min (0.5 mph)	13.5 m/min (0.5 mph)	13.5 m/min (0.5 mph)	13.5 m/min (0.5 mph)	12 m/min (0.5 mph)
OPTIONAL FOOT SIZES WIDTH	110–200–375 mm (4.3–7.9–14.8 in)	165–200–230– 330–400 mm (6.5–7.87– 9.1–13–16 in)	165–200–230– 330–400 mm (6.5–7.87– 9.1–13–16 in)	165–200–230– 330–400 mm (6.5–7.87– 9.1–13–16 in)	165–200–230– 330–400 mm (6.5–7.87– 9.1–13–16 in)	230–260–330– 400 mm (9.1–10–13–16 in)

\*depending on ground conditions



# TRAINING

## ENHANCE YOUR PERFORMANCE

If Ammann machine training was summarised in a single word, it might well be “comprehensive.” The training includes multiple expertise levels and modules to benefit all skill levels.

### TRAINING WORLDWIDE

Ammann product and application experts are ready to provide the training you need, no matter where you are. The global nature of Ammann ensures an expert is always near you – ready to offer instruction that ranges from the basics to the specifics relevant to your geographic area. The training can take place at an Ammann facility, your business – or even on a jobsite.

### KEY TEACHING THEMES CONNECT ALL EFFORTS, NO MATTER WHERE THEY OCCUR

A good balance. Training often combines a traditional classroom setting with hands-on machine experience. Ammann application experts also can offer instruction on your jobsite.

Training typically includes students from other industry businesses. Participants say conversations with their peers – and learning how they overcome challenges – are other key benefits.

Learn in your language. Lessons are taught in many languages, ensuring your team understands key terms and lessons and makes the most of your training investment.





# SERVICE

## A NETWORK TO SUPPORT YOU

**No matter where you are, Ammann-trained technicians and parts are nearby. Ammann dealers provide well-trained service technicians who can help you, whether it's an emergency or time for preventive maintenance. The vast Ammann network ensures there is a nearby technician who understands your language and your technical needs. Parts availability and ease of ordering are always Ammann priorities.**

### HOTLINE SUPPORT

Ammann experts are ready to answer your technical questions 24 hours a day, seven days a week. The hotline team is highly trained and experienced. Representatives can talk you through the challenges – in various languages – to help keep your machine productive.

### SERVICE APP

The service app for Ammann machines impresses machine operators who are already benefiting from the advantages of the free application. The easy-to-use app provides machine operators working on site quick and uncomplicated access to machine documentation.

### SERVICE VIDEOS

Sometimes a video tells the story best. That's why you'll find a variety of service videos that walk you through service and maintenance processes.

### QR CODE

Many maintenance kits feature QR codes that link to videos with helpful demonstrations that walk you or your technician through the process. The videos tell the story without dialogue so customers anywhere in the world can understand.



# SPARE PARTS

You can only earn money when your equipment is working. That's why Ammann does everything possible to ensure you have the parts where and when you need them. Those efforts include easy online ordering to avoid confusion and enable tracking, and efficient logistics and availability to help parts reach you quickly.

## WEARING KITS

Some machines handle abrasive materials in demanding applications. While wear is inevitable, downtime can be limited. Wearing kits make replacement of these parts efficient and cost-effective. All the necessary parts – big and small – are in a single box to keep you organised and efficient and to ensure the machines are quickly back up and running.

## EMERGENCY KITS

Emergency kits prevent little frustrations from becoming bigger issues that can shut down a machine and even a jobsite. These kits include parts such as switches, fuses and valve coils that are simple and fast to change yet still can cause significant problems if not operating properly. The kits easily fit in the trunk or bed of a vehicle so they're on hand when needed. A crew-member with a bit of technical knowledge can handle this work on the jobsite. These repairs take 2 hours or less.



## MAINTENANCE KITS

Preventive maintenance is crucial to efficient operation and service life of machines. The easier the maintenance, the more likely it is to be completed. Maintenance kits make the upkeep simple. Parts associated with a particular maintenance process are in a single box with a single part number.

## BROCHURE WITH ALL KITS

We have a prospect with all kits, and their part numbers are available for you. Just contact your parts consultant and have a digital or hardcopy sent to you.



**“Service kits ensure that every part is there when you need it, while emergency kits prevent a little challenge from becoming a big one.”**



For additional product information  
and services please visit:  
**[www.ammann-group.com](http://www.ammann-group.com)**

